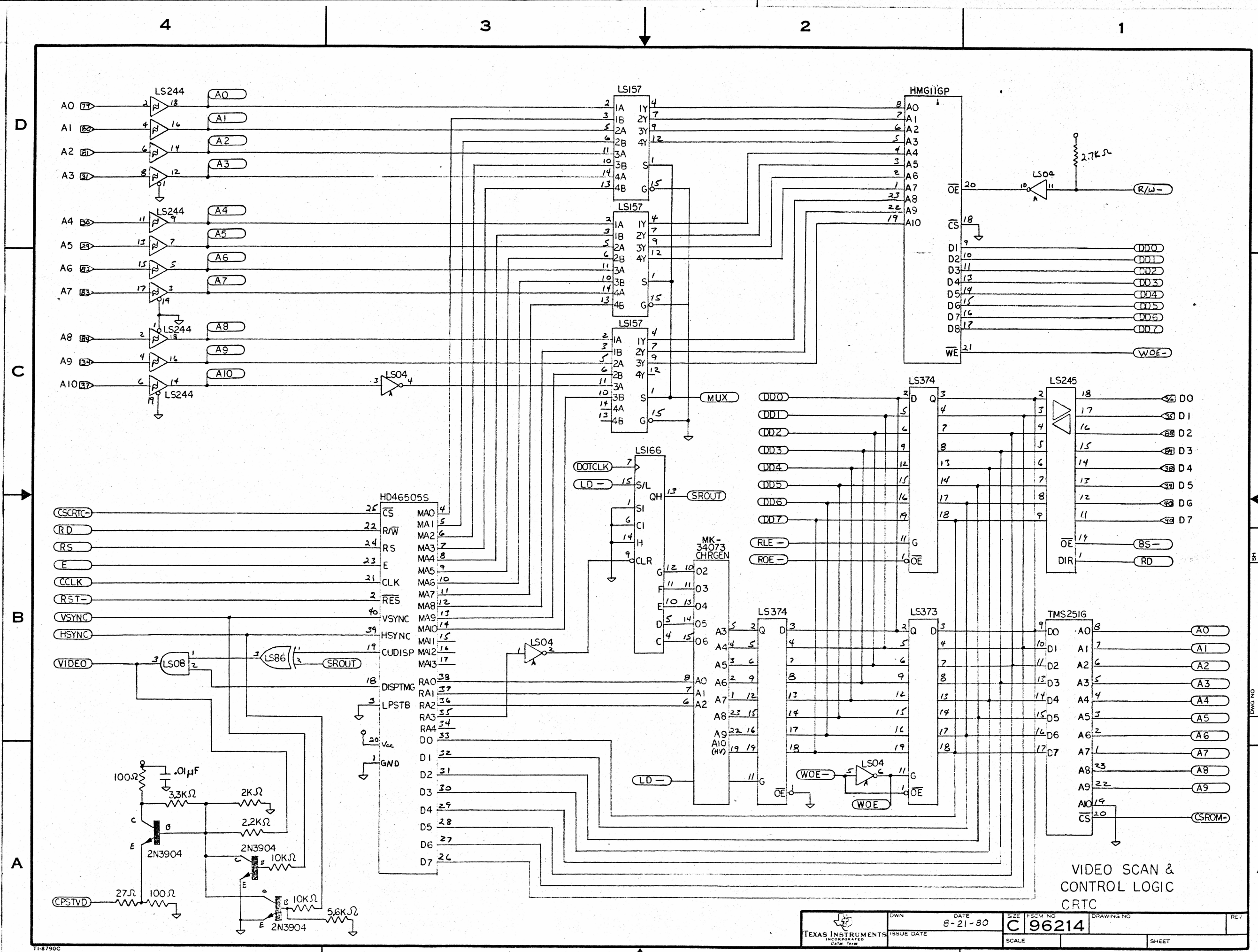


 TEXAS INSTRUMENTS INCORPORATED DALLAS, TEXAS	DATE 8-21-80	SIZE C	FSCM NO 96214	DRAWING NO	REV
	ISSUE DATE	SCALE	SHEET		



D

C

B

A

VIDEO SCAN & CONTROL LOGIC CRT

TEXAS INSTRUMENTS INCORPORATED DALLAS, TEXAS	DWN	DATE	SIZE	FSCM NO	DRAWING NO	REV
	ISSUE DATE	8-21-80	C	96214		
SCALE		SHEET				

TI-8790C

4

3

2

1

10.7MHZ DOTCLK

RES

A

QA

QB

QC

CCLK

QD

Y1

QA-QB

LD

QC-QD

CSCRTC+Y2

MUX

R/W

WOE or RLE

write or read

RLE or WOE

RAM A0-A10


CRTC ADDRESS

MEMORY ADDRESS

CRTC ADDRESS

RAM MEMORY TIMING

CRTC

 TEXAS INSTRUMENTS <small>INCORPORATED          Dallas, Texas</small>	OWN	DATE	SIZE	FSCM NO	DRAWING NO	REV
	ISSUE DATE	8-21-80	C	96214		
	SCALE				SHEET	1/2

4

3

2

1

TI-8790C

4

3

2

1

T1 | T2 | Tw | Tw | T3

3.58 MHz  $\phi$

$\overline{MRQ}$

$\overline{RD}$  read

$\overline{RD}$  write

QA

QB

QC

QD

Y2

MUX

R/W

$\overline{WOE}$  or  $\overline{RLE}$   
write OR read

$\overline{RLE}$  or  $\overline{WOE}$

A0-A15

MEMORY ADDRESS

D0-D7

DATA OUT

DATA IN

RAM MEMORY TIMING  
CRTC


D

C

SH

DWG NO

A

 TEXAS INSTRUMENTS INCORPORATED DALLAS, TEXAS	DWN	DATE	SIZE	FSCM NO	DRAWING NO	REV
	ISSUE DATE	8-21-80	C	96214		
SCALE		SHEET		2/2		

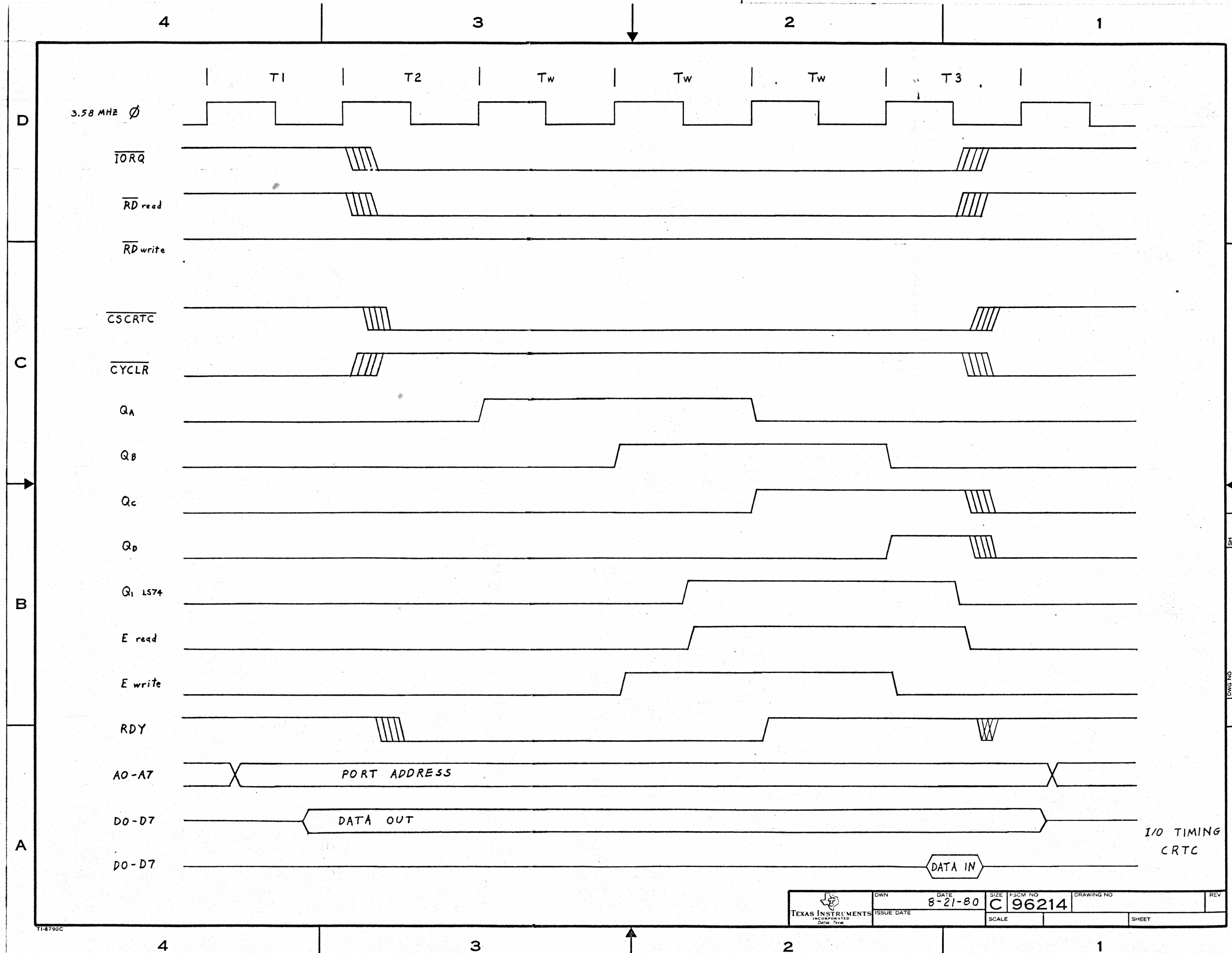
TI-8790C

4

3

2

1



I/O TIMING  
CRTC

 TEXAS INSTRUMENTS INCORPORATED <small>DAVID T. WILSON</small>	DWN	DATE	SIZE	FSCM NO	DRAWING NO	REV
	ISSUE DATE	8-21-80	C	96214		
SCALE		SHEET				

TI-8790C

CB:

HERE IS CRT CONTROLLER INFO  
FOR NEXT WED. DESIGN REVIEW.

Ae